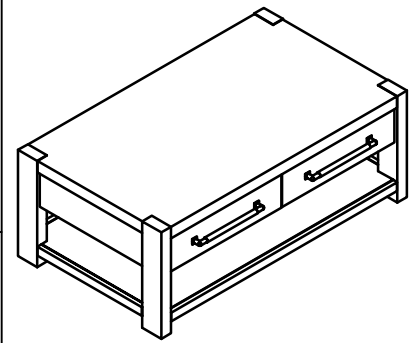


Warning :

- Be sure to check all packing material carefully for small parts, which may have come loose inside the carton during shipment.
- To prevent possible scratches and damage, this furniture **MUST BE ASSEMBLED BY TWO PEOPLE** on a soft surface such as a blanket or carpet.

Important Use Information: We recommend using coasters, placemats and trivets when placing hot or cold containers on this item. It is also recommended to quickly cleanup any spills to minimize exposure to moisture. Doing so will prolong the life and look of the item for many years.

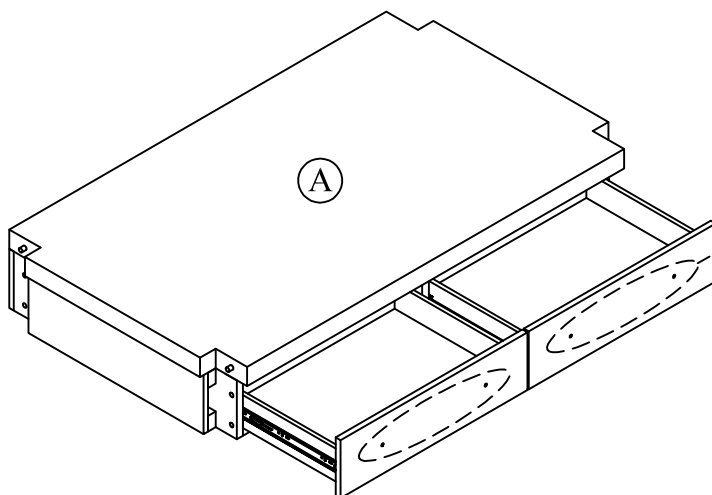


91002
Rectangle Cocktail Table

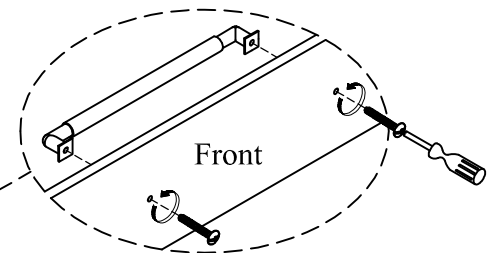
Components and Hardware List

<p>Table Top</p> <p>(A) 1 pc.</p>	<p>Leg</p> <p>(B) 4 pcs.</p>	<p>Shelf</p> <p>(C) 1 pc.</p>	<p>Allen Head Bolt Ø5/16"-18 x 1-1/2"</p> <p>(D) 12 pcs.</p>	<p>Spring Washer Ø5/16" x Ø13</p> <p>(E) 12 pcs.</p>	<p>Flat Washer Ø5/16" x Ø19</p> <p>(F) 12 pcs.</p>	<p>Allen Key M4 x 2-1/2"</p> <p>(G) 1 pc.</p>
<p>Caster</p> <p>(H) 4 pcs.</p>	<p>Allen Wrench 17 mm</p> <p>(I) 1 pc.</p>	<p>Screw Driver not included</p>				

Step 1



Remove Handle from
inside drawer

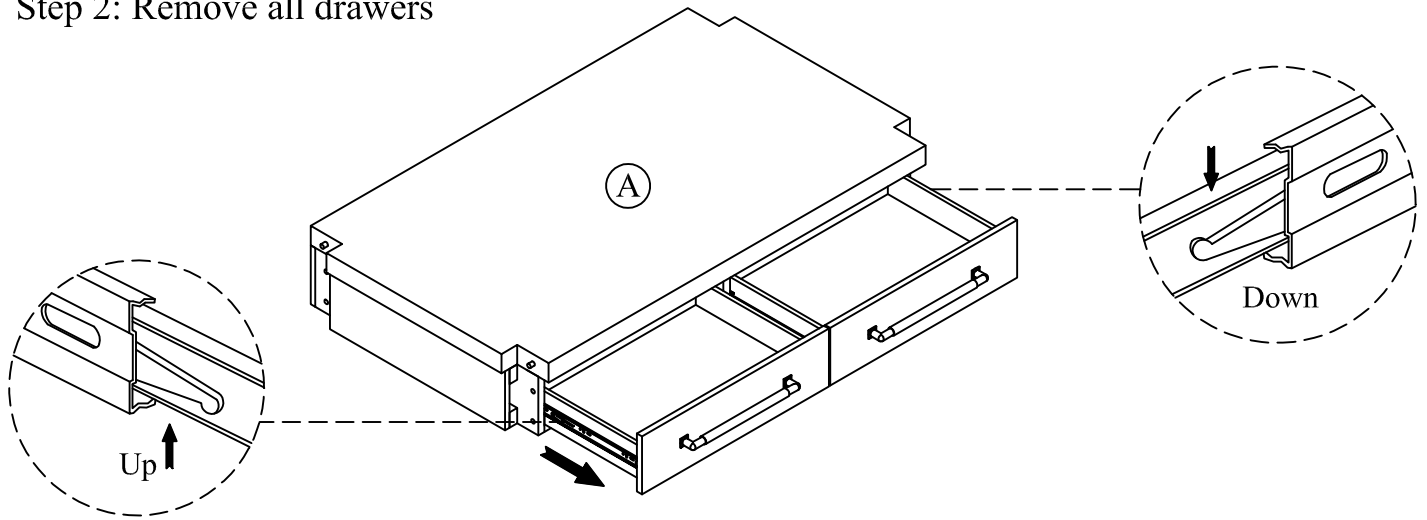


Front

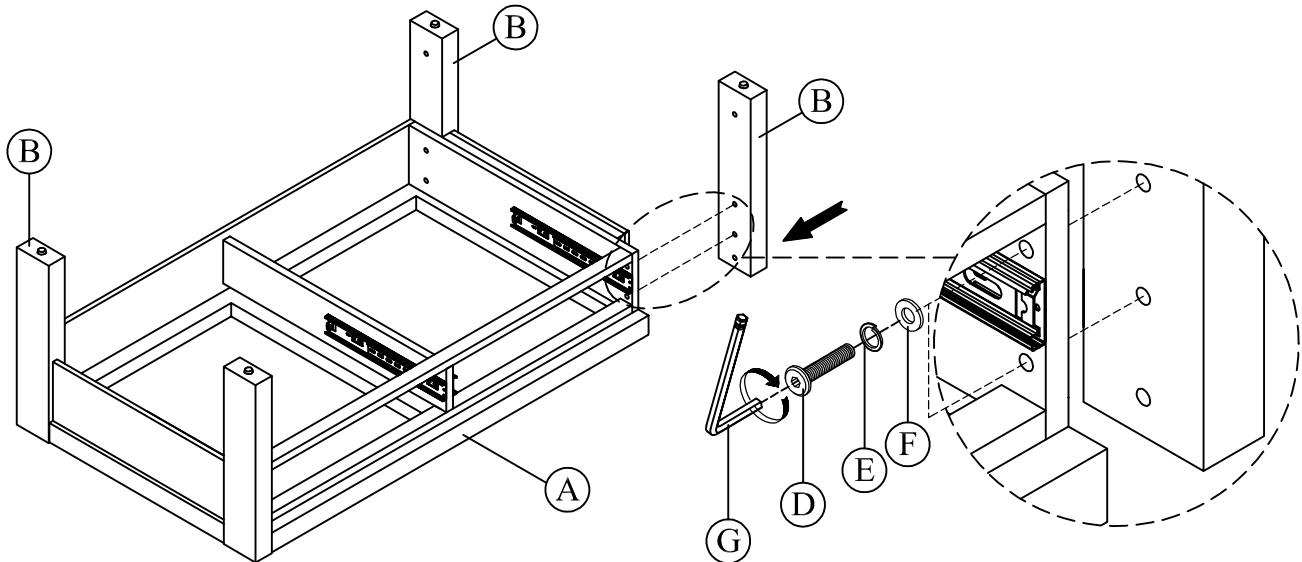
Front

Reattach Handle to
front of drawer

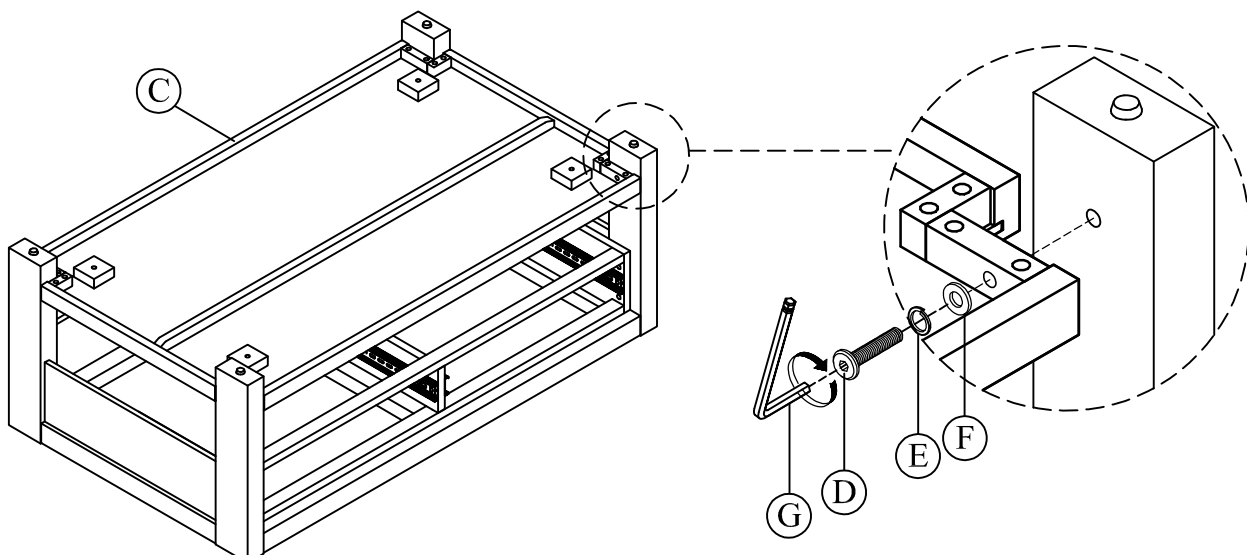
Step 2: Remove all drawers



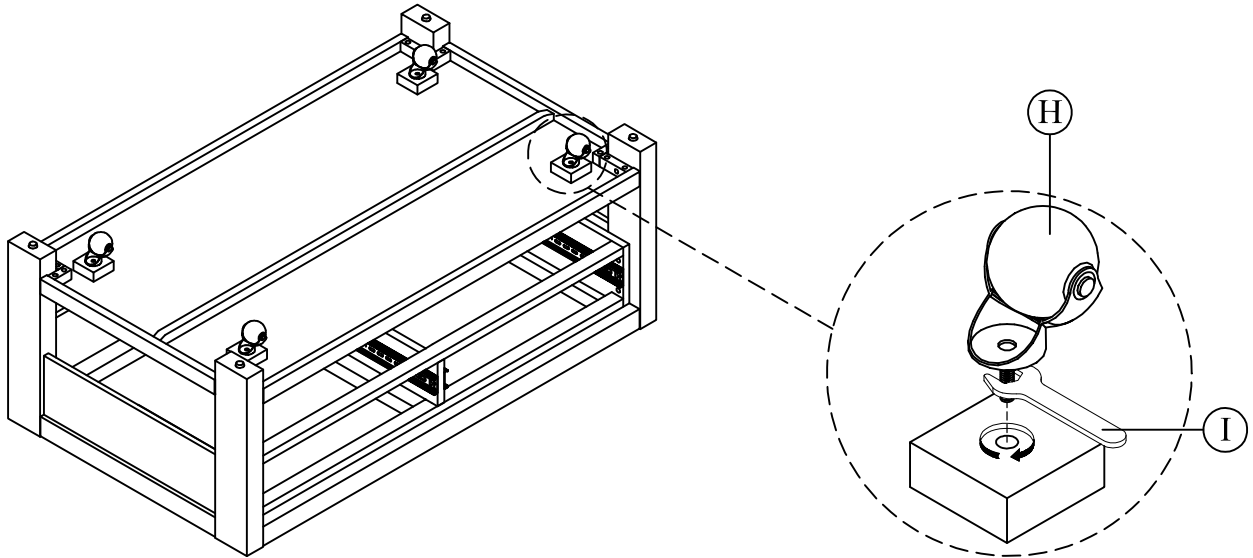
Step 3: Do not fully tighten all bolts.



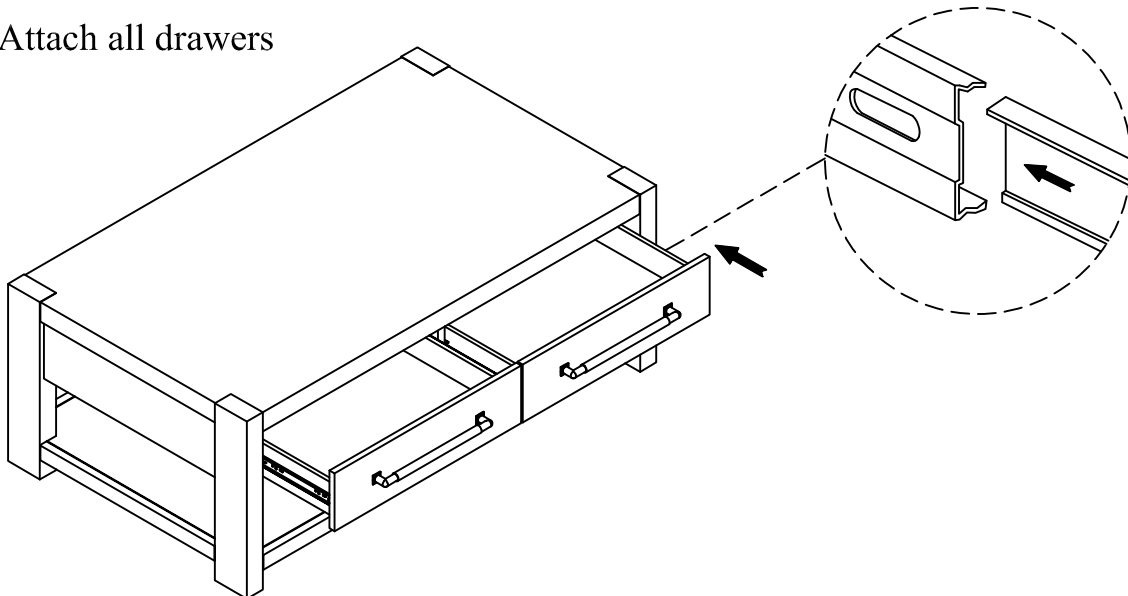
Step 4: Using the Allen key tighten all bolts.



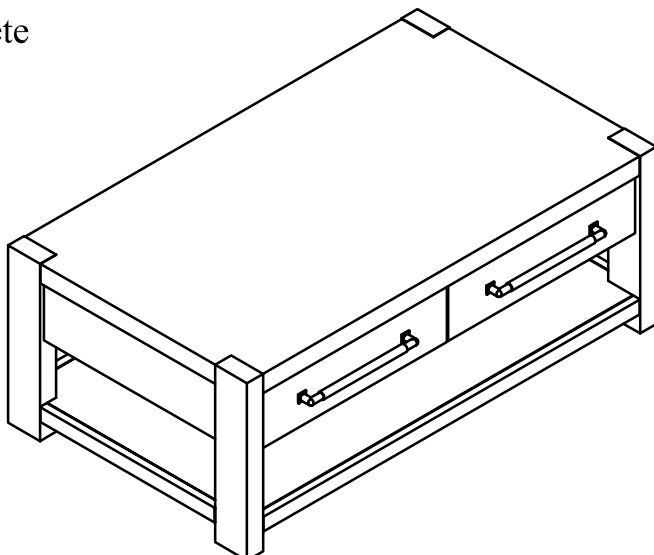
Step 5



Step 6: Attach all drawers



Complete



Note: To prevent possible damage to some types of flooring, never roll casters on unprotected hardwood or vinyl flooring.